



CHABOT DELRIEU ASSOCIÉS

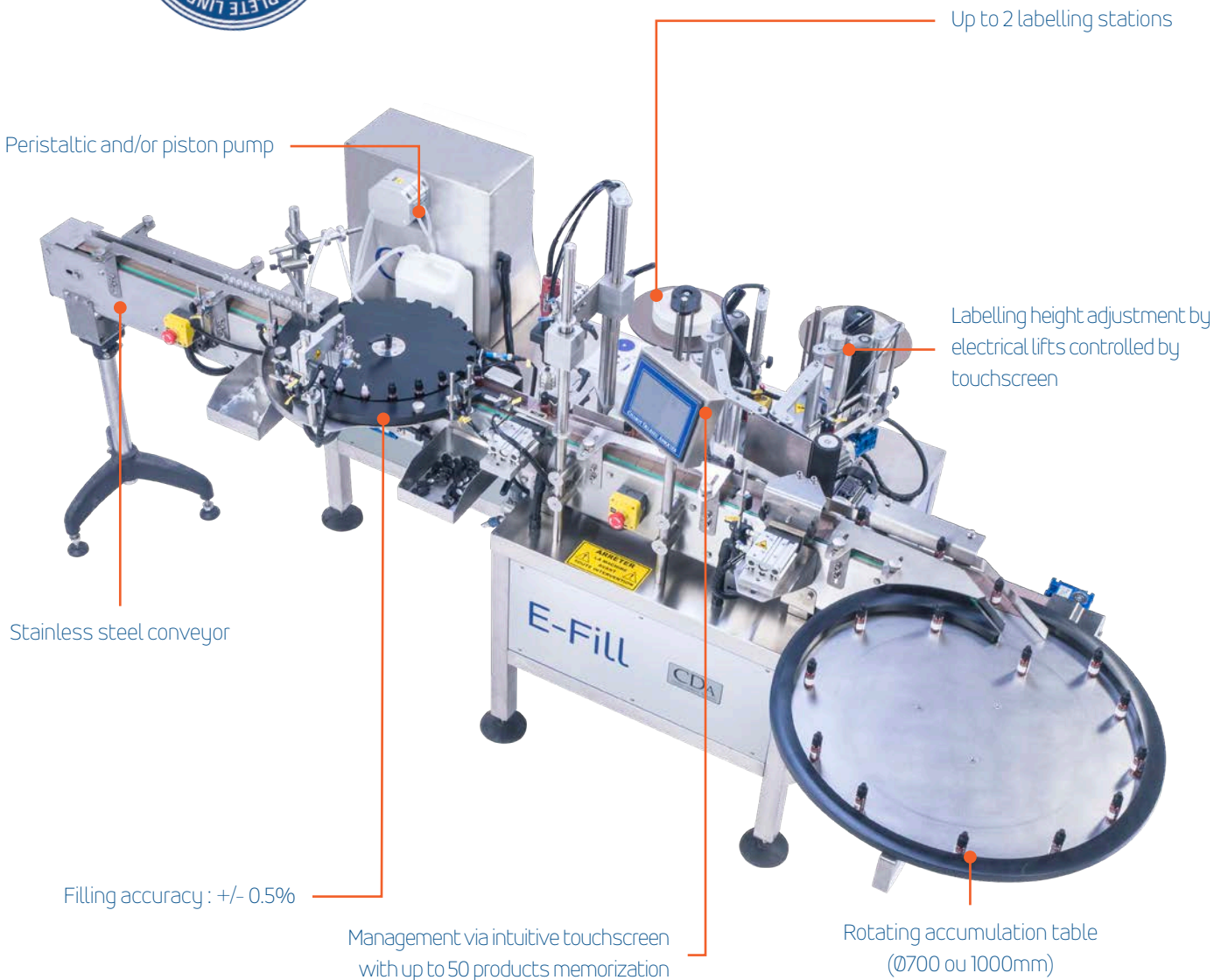
Manufacturer
of labelling, filling
& complete packaging lines



E-Fill

Filling, capping and labelling monobloc for smaller cylindrical container.

The E-fill is an ultra compact filling, capping and labelling monobloc. With quick product changeover and cleaning, this versatile machine will bottle all of your cylindrical products (from 5ml up to 1L) with any kinds of liquids.



STRENGTHS

- PERISTALTIC AND/OR PISTON PUMP
- QUICK PRODUCT CHANGEOVER
- ULTRA COMPACT

SCAN THE QR CODE TO DISCOVER THE VIDEO OF THE MACHINE IN ACTION

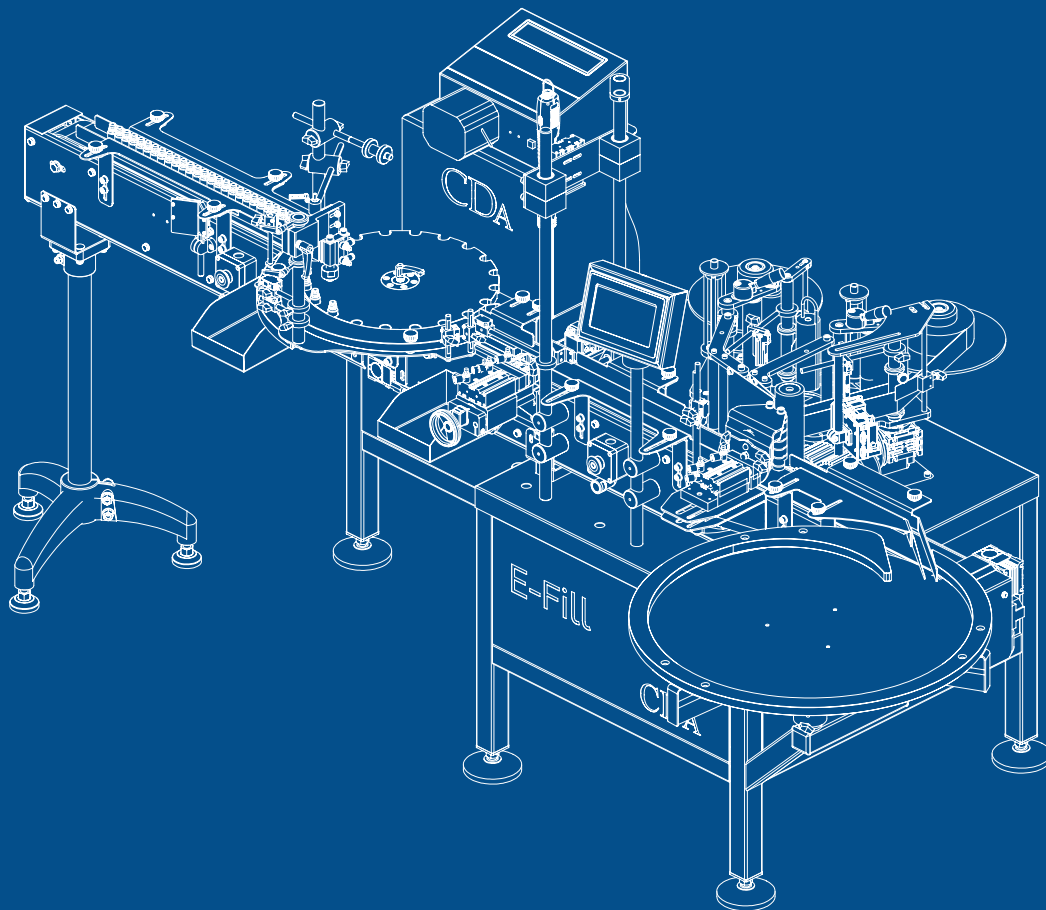


Pictures, production rates and technical descriptions for information

DRAWING

Dimensions :

3178 x 1582 x 1724 mm



SPECIFICATIONS

+/- 0,5% Filling accuracy:
+/- 0,5%

25 Prod/Min Up to **25 products/min**



Filling



Capping



Labelling



Bottles sizes:
From **5ml up to 1L**

AVAILABLE OPTIONS FOR BOTTLES FEEDING



Rotating table



Unscrambler



Unscrambler with feeding tank



CDA in the world

- Head quarter
- Subsidiaries
- Resellers



6 Rue de l'artisanat - ZI de plaisance - 11100 NARBONNE
Phone : +33 (0)4 68 41 25 29 - Website : www.cdafrance.com
Email : contact@cdafrance.com