



CHABOT DELRIEU ASSOCIÉS

Cap System

MONOBLOC FOR CAPSULE DISTRIBUTION &

CAPSULING

Wine Industry

Cap System

Monobloc for capsule or champagne capsule distribution & capsuling



General Presentation

According to configuration this machine can include:

- ▶ A capsule dispenser and 1 or 2 capsule roller for metal capsules, or thermal crimper for PVC capsules, production rate from 1500 or 2500 btls/hour, according to outfit;
- ▶ Or 1 champagne capsule dispenser together with 1 or 2 champagne capsule folders.

According to options machine outfitted with:

Motorized Conveyor

- ▶ Anodised aluminium profile, created by CDA, receiving an acetal slate band conveyor, width 82,5 mm ;
- ▶ Lateral transfer plate for its integration in an already existing line ;
- ▶ The motorized conveyor is built on a stainless steel frame, outfitted with blue side panels in which the electrics & electronics are integrated ;
- ▶ A multi-format selection screw with a frequency converter may be at the entrance of the machine to regulate the space between the bottles and the feeding speed.

Capsule Dispenser

- ▶ A feeding plate for capsules of 500 by 430 mm ;
- ▶ Capsule diameter of 30 mm \pm 2mm, bigger in option on request ;
- ▶ Capsule length from 30 to 75 mm ;
- ▶ Or champagne capsule dispenser system ;
- ▶ Ejection of the capsules by two blowers with length and width adjustable according to the size of capsules ;
- ▶ Automatic centring and hold of the bottle necks during capsule dispensing ;
- ▶ Detection cell to detect the presence of the corks in order to avoid dispensing a capsule on an unclosed bottle ;
- ▶ Automatic centring and hold of the bottle from 60 to 110 mm de \emptyset without any necessity of adjustment for bottle size change ;
- ▶ Regulation of the speed and validation through the digital display ;
- ▶ Motorized height adjustment.

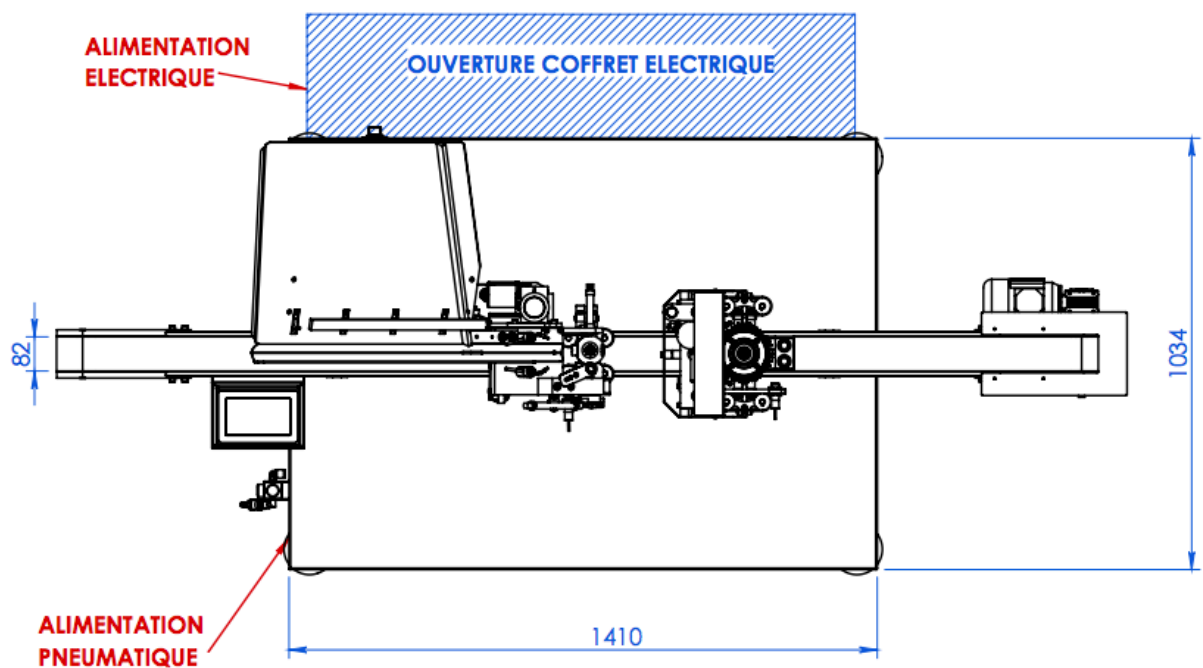
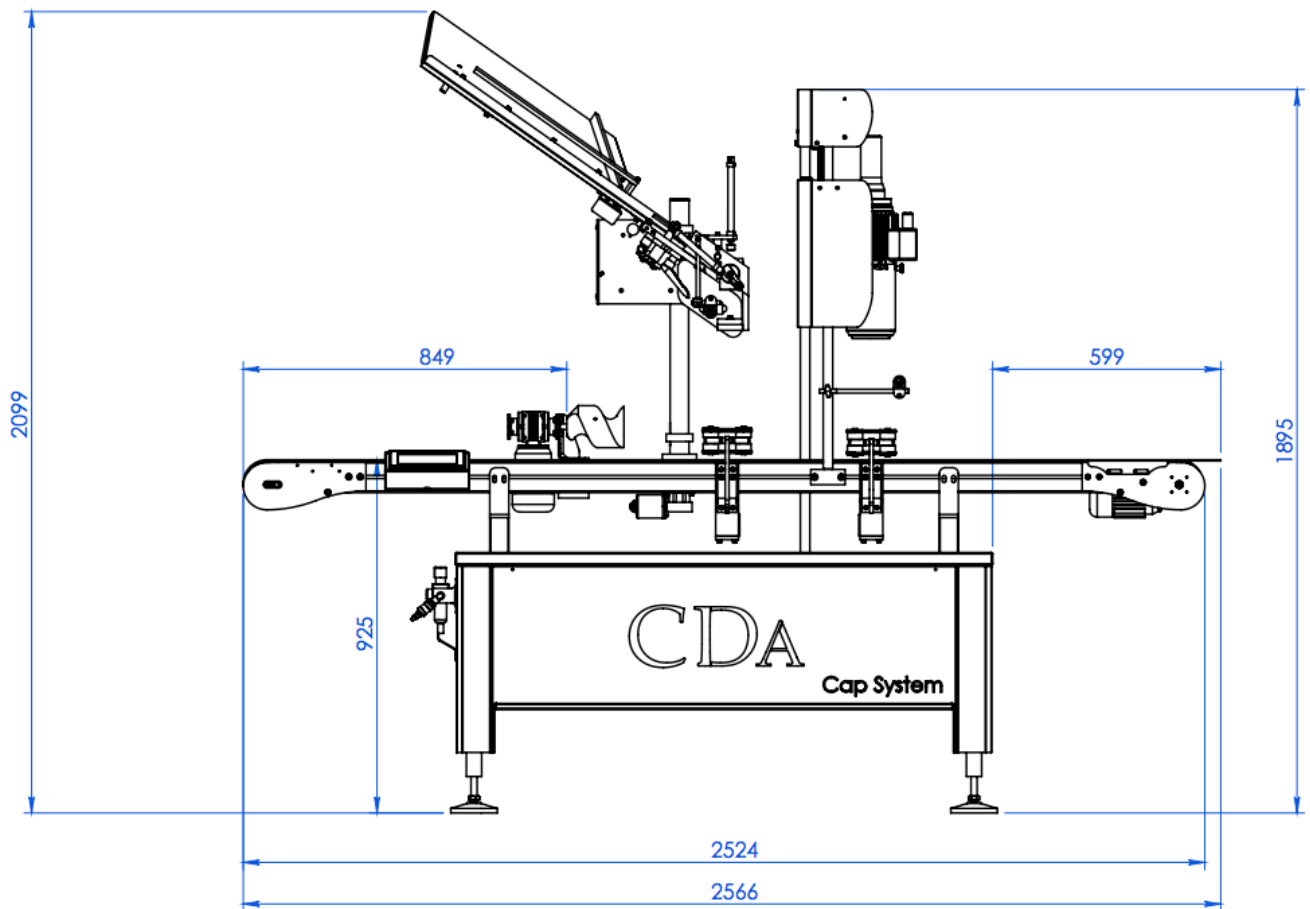
Capsuling

- ▶ One or two capsule rollers turning at 2 800 rpm, and which slides down (110 mm slide) to roll the capsule onto the bottle's neck ;
- ▶ Or one or two thermal crimpers with heat regulation (110 mm slide) ;
- ▶ Or Champagne foil folder ;
- ▶ The height adjustment is motorised and regulated through the digital display ;
- ▶ The bottle holders are ensuring an automatic centring and hold of all diameters from Ø 60 to 110 mm without necessity of adjustment for bottle size change ;
- ▶ Bottle neck diameter: 30 mm ± 2 mm ;
- ▶ Regulation of the sliding speed (up & down) through independent air limiters ;
- ▶ Speed regulation and validation of the capsuling process through the digital display ;
- ▶ Pre-positioning system for champagne foils with a spot detection camera to orientate the foils before folding.

Technical Description

Performance	Up to 2 500 btls/hour according to outfit *800 btls / h with the option champagne capsule crimper
Approximate weight in kgs	135 Kg*
Machine width	740 mm*
Machine height	1800 mm*
Machine length	2100 mm*
Conveyor height	925 mm*
Control	By digital display
Absorbed power	2 Kw
Power supply	380 V ~ 50 Hz 16A
Air consumption	20 m3 / hour maxi at 6 bars - Dry air non lubricated
Ideal running temperature	From 10°C to 30°C

Schematic Cap System





CHABOT DELRIEU ASSOCIÉS