



CHABOT DELRIEU ASSOCIÉS

Regionale

Automatic Labelling Machine

Wine Industry

Regionale

Automatic Labelling Machine



General description

The Régionale enables up to 4 labels applications and the crimping of metallic or PVC capsules. Production rate up to 1500 bottles/hour.

Equipped machine

Motorized conveyor

- ▶ Anodized aluminium profile, created by CDA, receiving an acetal slate band conveyor, width 82,5 mm ;
- ▶ The stainless steel side guide bars in $\varnothing 12$ mm are adjustable in width to allow the passage of a bottle up to $\varnothing 110$ mm in and 390 mm height ;
- ▶ The motorized conveyor is built on a stainless steel frame, outfitted with blue side panels in which the electrics & electronics are integrated. Four feet on wheels allow its displacement ;
- ▶ A multi-format selection screw with a frequency converter is at the entrance of the machine to regulate the space between the bottles and the feeding speed ;
- ▶ A rotating reception table $\varnothing 700$ mm is built at the outlet of the conveyor to collect the labelled bottles.

Capsule Dispenser

- ▶ A feeding plate for capsules of 500 by 430 mm ;
- ▶ Capsule diameter of 30 mm \pm 2mm, bigger in option on request ;
- ▶ Capsule length from 30 to 55 mm ;
- ▶ Ejection of the capsules by two blowers with length and width adjustable according to the size of capsules ;
- ▶ Automatic centring and hold of the bottle necks during capsule dispensing ;
- ▶ Detection cell to detect the presence of the corks in order to avoid dispensing a capsule on an unclosed bottle ;
- ▶ Automatic centring and hold of the bottle from 60 to 110 mm de \varnothing without any necessity of adjustment for bottle size change ;
- ▶ Regulation of the speed and validation through the digital display.

Capsuling

- ▶ A capsule crimper turning at 2 800 rpm, and which slides down (110 mm slide) to roll the capsule onto the bottle's neck ;
- ▶ And/or thermal crimper with heat regulation (110 mm slide) ;
- ▶ The height adjustment is motorised and regulated through the digital display ;
- ▶ The bottle holders are ensuring an automatic centring and hold of all diameters from Ø 60 to 110 mm without necessity of adjustment for bottle size change ;
- ▶ Bottle neck diameter: 30 mm ± 2 mm ;
- ▶ Regulation of the sliding speed (up & down) through independent air limiters ;
- ▶ Speed regulation and validation of the capsuling process through the digital display.

Labelling

- ▶ One label dispenser for front labels ;
- ▶ One label dispenser for back labels ;
- ▶ One label dispenser for a third label to be applied on the cylindrical part of the bottle or one label dispenser for medals or collar labels ;
- ▶ All label dispensers steered by asynchronous motors piloted by vectorial frequency converters;
- ▶ The height regulation of each label dispensers is motorized ;
- ▶ Labelling height adjustment through digital display ;
- ▶ From 8 to 300 mm label height ;
- ▶ Nominal labelling production rate for front/back labels: 1 500 bt/h ;
- ▶ Adjustment and memorizing of the label positioning through the digital display .

Digital Display

- ▶ Validation zones ;
- ▶ Zone for regulation settings ;
- ▶ Zone for bottle counter ;
- ▶ Adjustment of the label positioning ;
- ▶ Setting of production rate and process timing ;
- ▶ Positioning memorizing - 50 positions ;
- ▶ Labelling height adjustment ;
- ▶ Process error detection and self-diagnosis.



Options

- ▶ Lot marker by heat transfer ;
- ▶ Detection cell for the positioning of an additional label on already labelled bottles ;
- ▶ Detection cell for the positioning of labels on notched bottles;
- ▶ Additional conveyor length ;
- ▶ Guiding unit for cone shaped bottles ;
- ▶ Inkjet lot marker ;
- ▶ Ultrasonic label detection sensor for transparent labels .

Technical Description

Performance Up to 1 500 btl/hour according to diameter and label positioning

Approximate weight in kgs 150 kgs

Machine width 1567 mm

Machine height 1938 mm

Machine length 2300 mm (depending on configuration)

Conveyor height 925 mm

Control By digital display

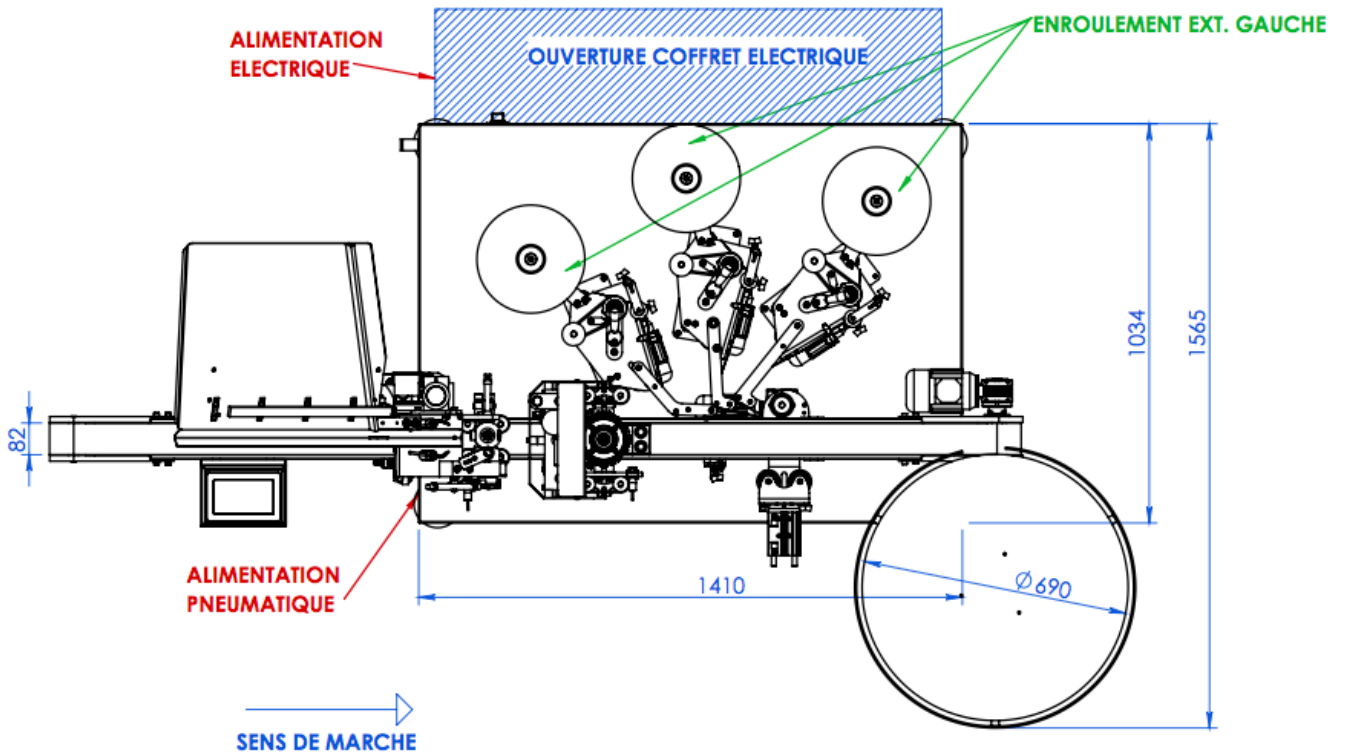
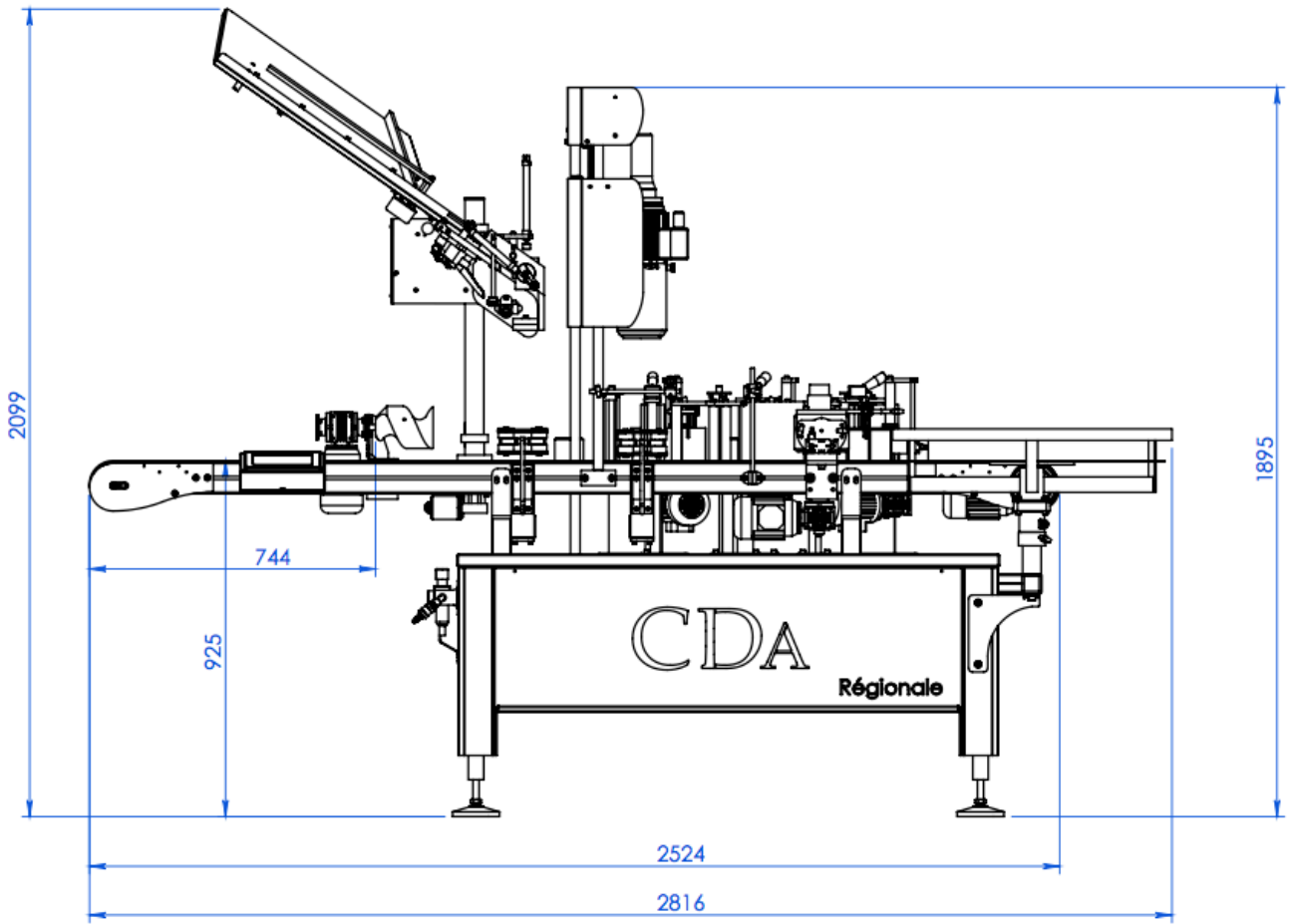
Absorbed power 2kw

Power supply 380 V ~ 50 Hz 16A 3 Phases + Ground 16A
220 V ~ 50 Hz 16A

Air consumption 20 m3 / hour maxi at 6 bars - Dry air non lubricated

Ideal running temperature From 10°C to 30°C

Schematic Regionale



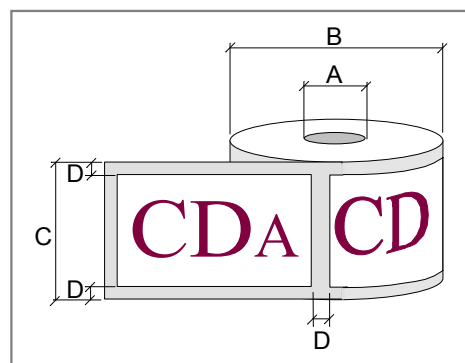
Dimensions of the label rolls

A - Inside diameter: 75 mm

B - Outside max diameter: 260 mm

C - Max. band height: 160 mm (or more on demand)

D - Space between labels: 3-5 mm



► Winding Direction : Left Out

Minimal paper quality : 90g.

Nota: The rolls have to be stored in a dry place between 15°C and 18°C.

Machine delivered with EC Standards.

Non contractual documents.



CHABOT DELRIEU ASSOCIÉS