

# K-One

## Semi-automatic filling machine

Semi-automatic filler - Dosing by peristaltic pump. Dosage between 0.5ml and 500ml.



**The K-One is an semi- automatic filling machine equipped with :**

- A touch screen allowing the adjustment and the piloting of the machine.
- A peristaltic pump.
- A pedal control.

## Available options

- Tubes made of material adapted to the liquid(s) to be dosed.
- A connector.
- A dosing needle.
- A suction cannula.
- A non-return valve.

## Limits of the K One

- Dosing volumes from 0.5ml to 500ml.
- Dosing of products with particles or high viscosity

*Before placing an order, we can carry out tests free of charge to ensure the feasibility of your project. Please do not hesitate to contact us!*

## Technical characteristics K-One

APPROXIMATE MASS (LBS)	10 kg with frame
DIMENSIONS (WITH FRAME)	310mm in width 290mm in height 410mm of depth
POWER CONSUMPTION	1 kW
SUPPLY VOLTAGE	220 V single phase
FREQUENCY	~ 50 Hz 16 A
CONTROL	by touch screen
IDEAL OPERATING TEMPERATURE	from 10°C to 30°C

**Please note that this machine requires an electrical power supply.**

## Technical Focus n°1

### POWER SUPPLY

Electrical connection: 1 Cable 220 volts - length 3 metres - Domestic socket.

## Technical Focus n°2

### PERISTALTIC PUMP

The peristaltic filling principle has many advantages. A perfect sterility, a guarantee against cross-contamination and no machine cleaning because the liquid is only in contact with the tube. The dosing is made possible by the crushing of tubes representing a dose. The peristaltic pump doses volumes from 0,5ml to 2L with a minimum accuracy of +/-0,5%.

## Technical focus n°3

### DOSING STAND

The K-one is delivered with a dosing stand to be placed on a table. The dosing stand consists of a height and depth adjustable needle holder and a height adjustable centering screw.

## Technical focus n°4

### FRAME (optional)

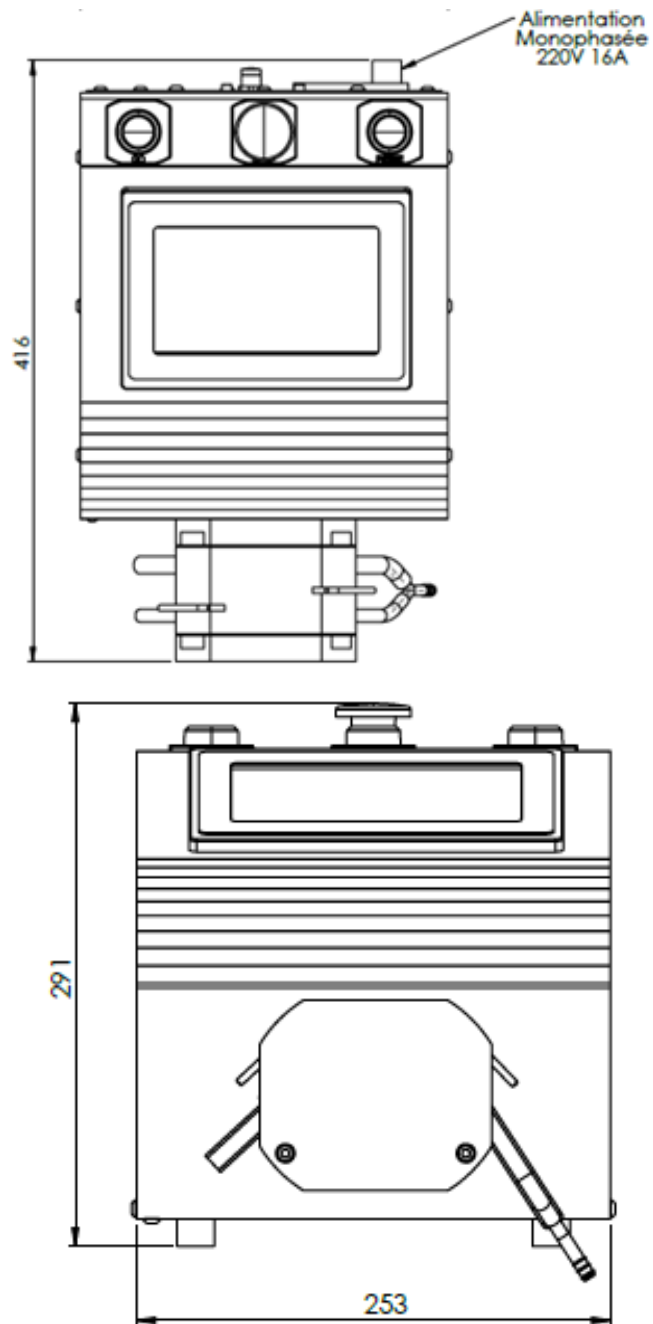
The dosing frame consists of a work table, a height and depth adjustable needle support, an adjustable centering vee and a shelf.

## Technical Focus n°5

### DIGITAL DISPLAY

The color touch screen allows you to easily adjust several parameters such as:

- Dose settings.
- A production counter.



*Pictures, production rates and technical descriptions for information.*